

# LED-8090M 120W LED for HID Retrofit for Shoebox/Wallpack



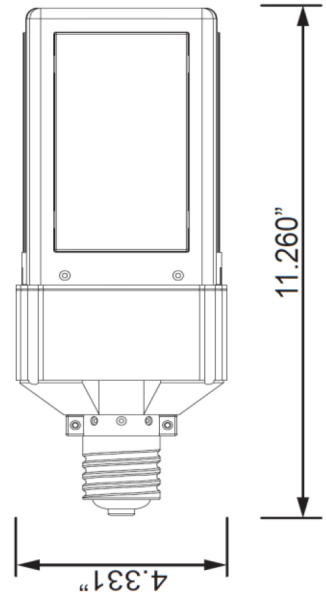
## Models

LED-8090MXX, 120-277VAC, ULus, 4000K or 5000K CCT, E39

LED-8090MXXC, 120-347VAC, cUL, 4000K or 5000K CCT, E39

## Features

- > 120W LED Replaces 400W MH or HPS HID Lamps
- > Rotatable base enables user to accurately direct output to target
- > Designed for Horizontal installations
- > UL approved for damp environments and enclosed fixtures
- > Advanced active cooling: Active cooling and dynamic temperature control
- > 50,000 hour rated LED life (supported by LM80 and ISTMT reports (see website))
- > 5 Year Limited Warranty - see website for details
- > UL1598C retains fixture UL Listing

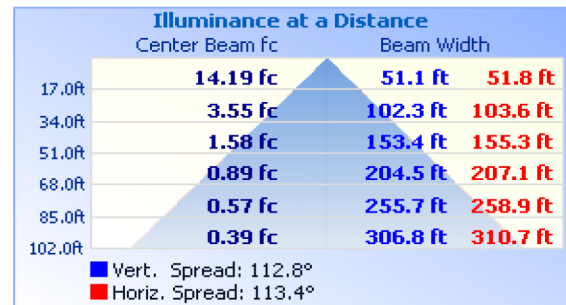


Type V

## Technical Specifications

Models US/CAN	LED-8090M40	LED-8090M40C	LED-8090M50	LED-8090M57C
CCT	4000K	4000K	5000K	5000K
Power Consumption	120 watts			
Replaces	400 MH/HPS			
Mounting	E39			
Voltage	120-277VAC (USA) 120-347VAC (CANADA)			
LED Type	CREE XTE			
Beam Angle	Type V			
Dimmable	No			
Operating Temp	-40°F - +122°F			
Rated R70 Life	Up to 50,000 Hrs.			
Warranty	5 Year Limited*			

## Illuminance Plots



## Installation Notes:

- Ballast must be bypassed
- Installing surge/lightning protectors is highly recommended

LED Power Consumption (Watts)	HID Power Consumption (Watts)	HID Ballast Power Consumption (Watts)	Total Savings (Watts)	Annual Energy Savings (14 hrs/day)	Lifetime Energy Savings (over 50,000 hrs)
120	400	80	360	\$202	\$1,980.00

LM79 Specifications	Yes	No	Yes	No
Power (W)	117.7	117.7	113.5	113.5
CCT	4144	4144	4981	4981
Light Output	9591.6	9591.6	10435	10435
Efficacy	103.51	103.51	91.94	91.94
THD @ 277V	18.86%	18.86%	18.15%	18.15%
PF @ 277V	91	91	91	91
CRI:	84.6	84.6	77	77
R9	18	18	0	0
Duv	0.0008	0.0008	0.0011	0.0011

Packaging	9 / Master Carton			
Unit	6.6"x 6.6"x 12.9" 2.9lbs.			
Master	20.7"x 18.5" x 13.8" 25.5 lbs.			

Mounting Orientation			Minimum Fixture Size Requirements (inches)	
Base Up	Base Down	Horiz	Length	Width
			13.26	6.33
Approved	Approved	Approved	Height	6.33
			Cu. Inches	531.3



800.547.1539  
www.shiffelerequip.com

