

# 6300 Series

## SQUARE HARDBOARD HEAVY DUTY STEEL STOOLS



products meet or exceed applicable ANSI/BIFMA standards



MODEL 6324HB SHOWN

Available in adjustable height and/or with backrest.



### SPECS:

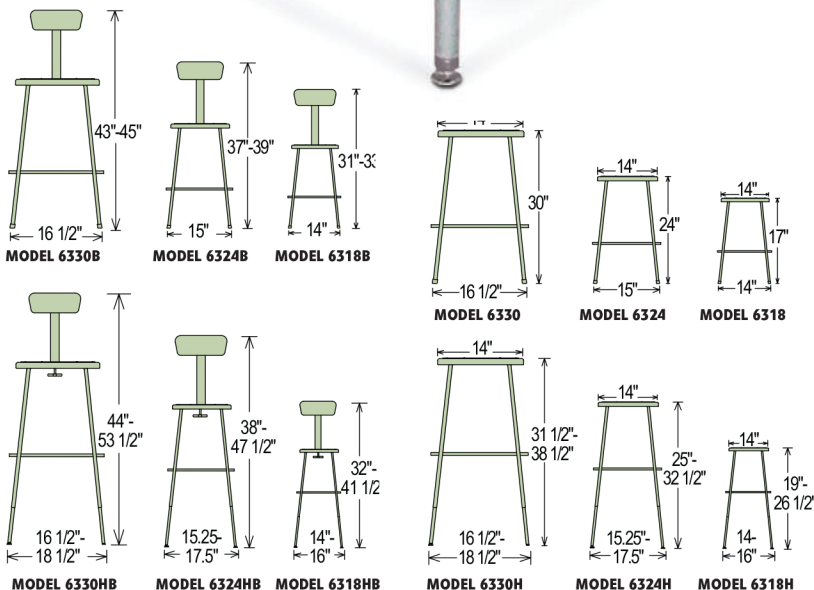
- 18"H, 24"H or 30"H sizes fixed height and adjustable with an optional backrest
- 7/8" O.D. 18-gauge steel tubing
- Features a square, contoured hardboard seat with 16 rivets
- Foot rings, 5/8" O.D. are welded to each leg by 4 contact points at each leg for added rigidity
- Optional backrest; 6"H x 12"W, adjusts up/down and forward/back
- Optional height adjustable legs; adjust in 1" increments up to eight additional inches
- Self-leveling glides available on height-adjustable legs

**300lb. weight capacity!**

### Stools come in 3 convenient sizes:

- **18"** for use with your **30"** table
- **24"** for use with your **36"** table
- **30"** for use with your **42"** table

**or use adjustable legs for alternate height options**



800.547.1539

www.shifflerequip.com